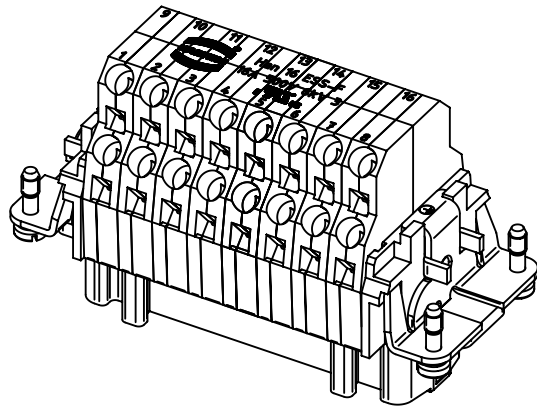
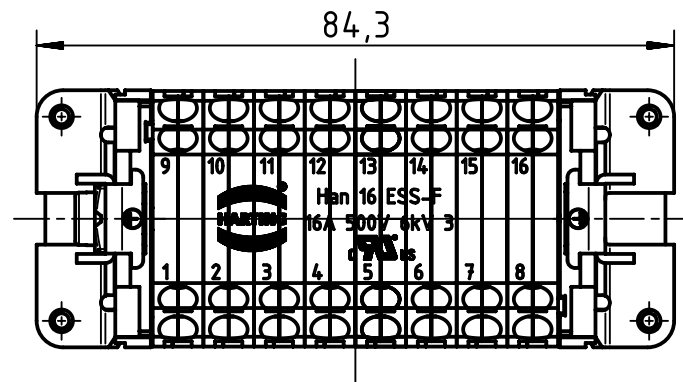
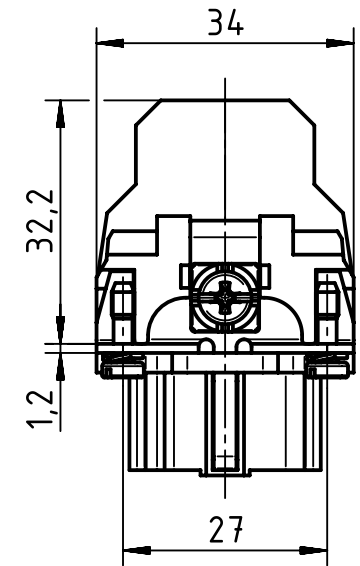
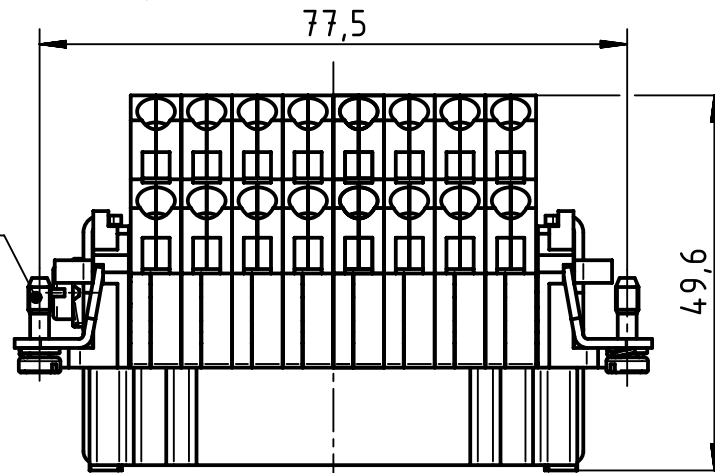


M3x10



	All rights reserved Department EL PD - DE HARTING Electric GmbH & Co. KG D-32339 Espelkamp	All Dimensions in mm Original Size DIN A4		Scale 1:1	Free size tol.	Ref. Sub.
		Created by VOLAR	Inspected by PRIESTER	Standardisation TIEMANNA	Date 2016-09-16	State Final Release
Title Han ESS 16 Pos. F Insert Double Cage Cla						Doc-Key / ECM-Nr. 100130095/UGD/005/A 500000102263
Type TB				Number 09 33 016 2772		Rev. A
						Page 1/1