

1 2 3 4 5 6

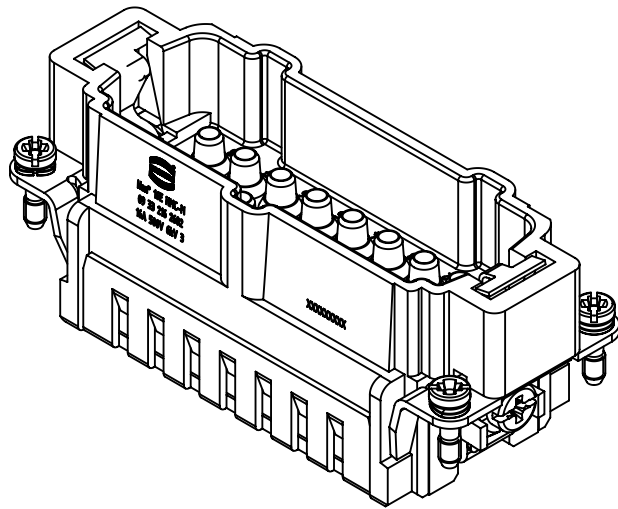
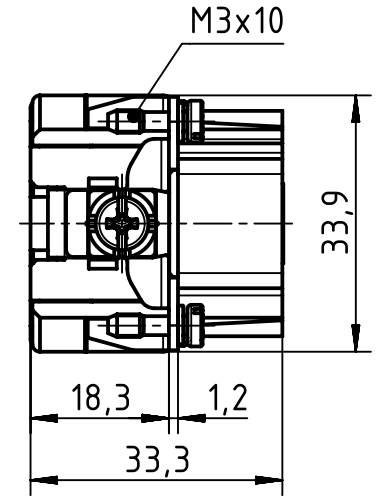
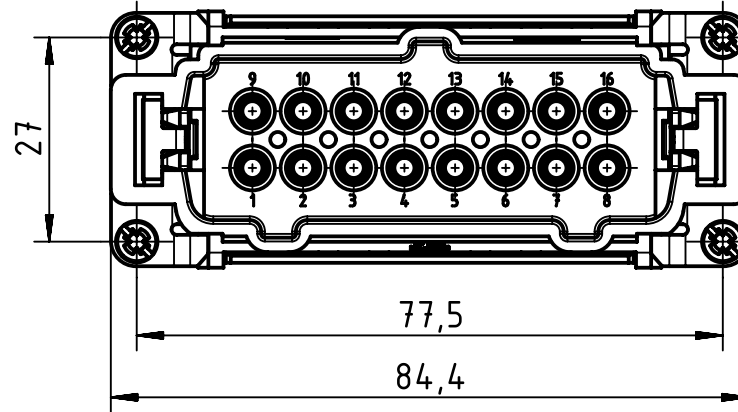
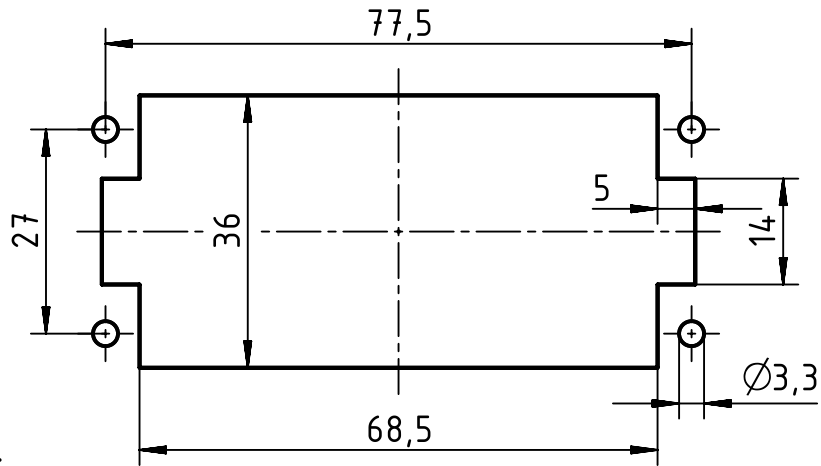
A

B

C

D

panel cut out



	All Dimensions in mm Original Size DIN A4		Scale 1:1	Free size tol.		Ref.
			Created by KLASSEN P	Inspected by BERGHORN	Standardisation TIEMANNA	Sub.
All rights reserved Department EL PD - DE		Title Han 16E HMC-M-Crimp		Date 2017-04-13	State Final Release	
HARTING Electric GmbH & Co. KG D-32339 Espelkamp		Type TB		Number 09 33 216 2602		Doc-Key / ECM-Nr. 100527289/UGD/002/C 500000116818
					Rev. C	Page 1/1