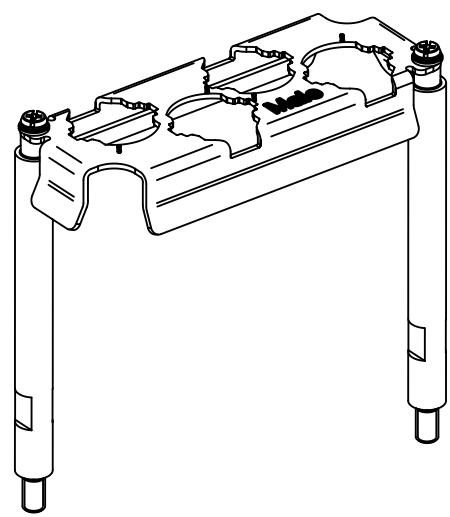
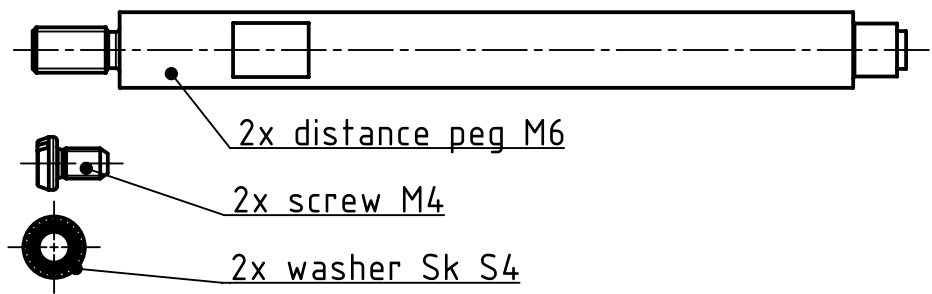
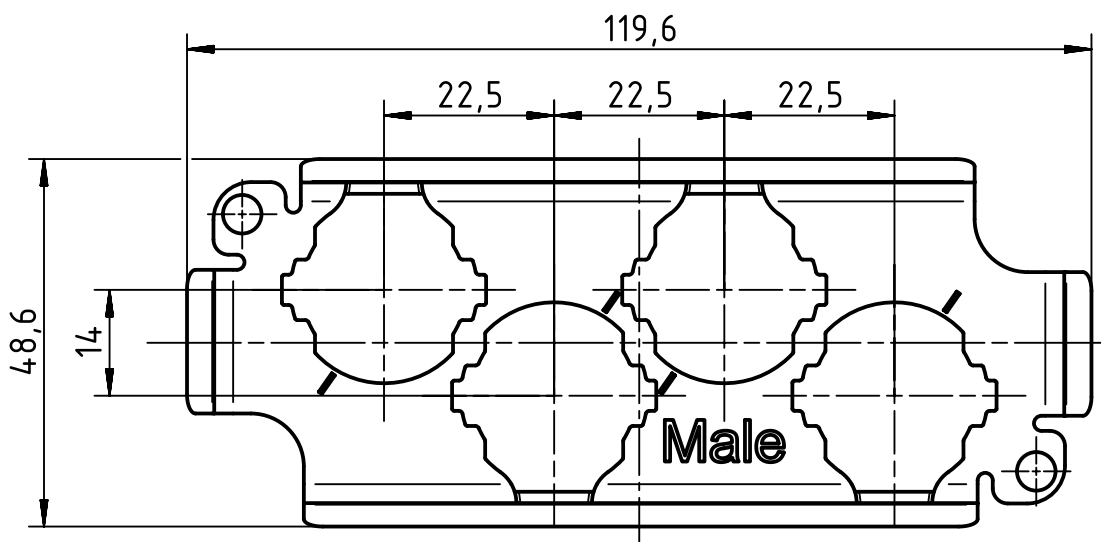


A

B

C

D



	All Dimensions in mm Original Size DIN A4		Scale 1:1	Free size tol.		Ref.	
						Sub.	
	All rights reserved Department EL PD - CN		Created by LONGL	Inspected by WENE	Standardisation SCHMIDTM	Date 2016-11-08	State Final Release
	HARTING Electric GmbH & Co. KG D-32339 Espelkamp		Title Frame Han 16HPR EasyCon male 4xHC250			Doc-Key / ECM-Nr. 100686425/UGD/004/A 500000111149	
			Type TB	Number 09 40 016 9903		Rev. A	Page 1/1