

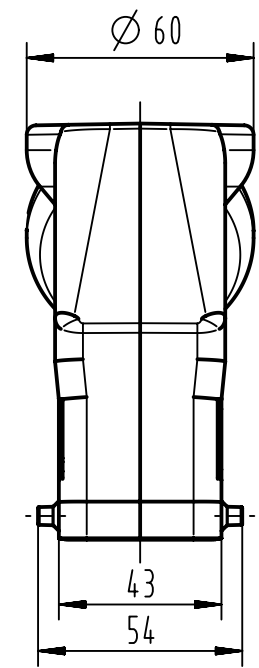
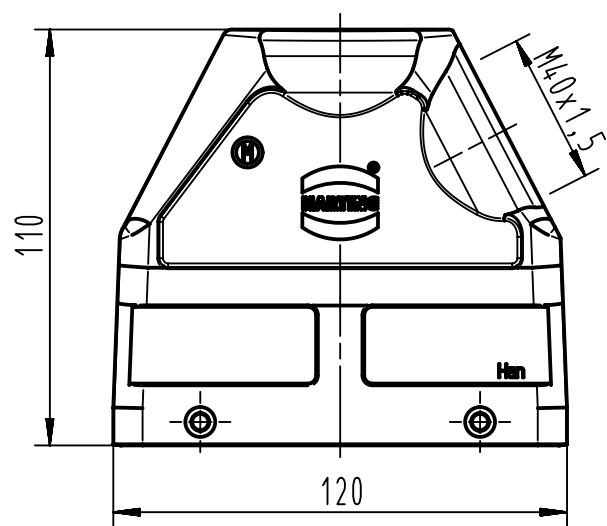
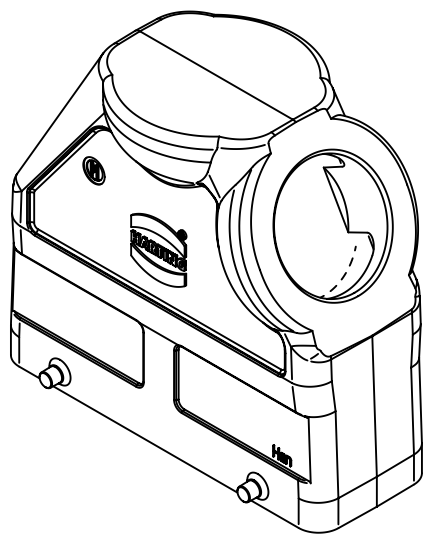
1 2 3 4 5 6


A

B

C

D



	All rights reserved Department EL PD - DE	All Dimensions in mm Original Size DIN A4			Scale 1:2	Free size tol.		Ref. Sub.	
		HARTING Electric GmbH & Co. KG D-32339 Espelkamp	Created by HOLLERT	Inspected by RIEPE	Standardisation SCHMIDTM	Date 2012-12-07	State Final Release		Doc-Key / ECM-Nr. 100523415/UGD/001/A
		Title Hood Han 24B-gs-M40							
		Type TB	Number 19 30 024 0523				Rev. A	Page 1/1	