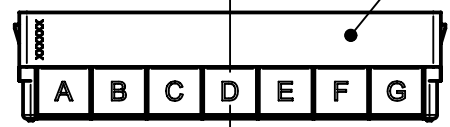
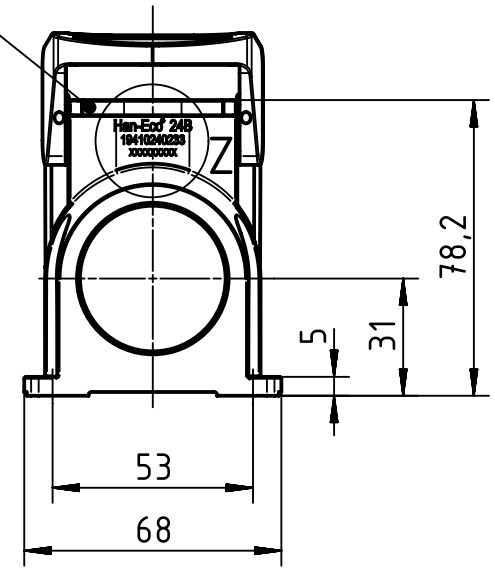


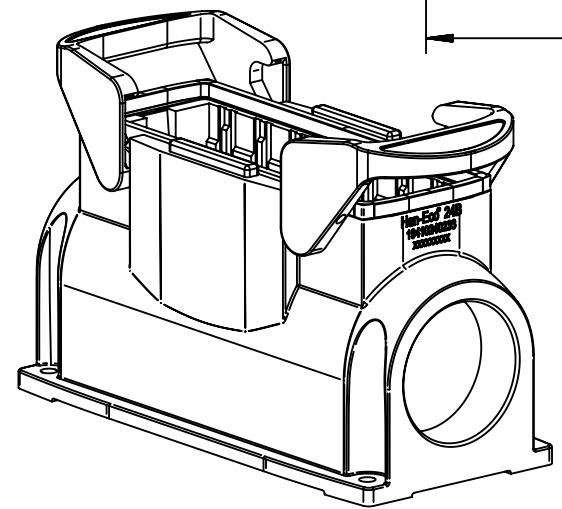
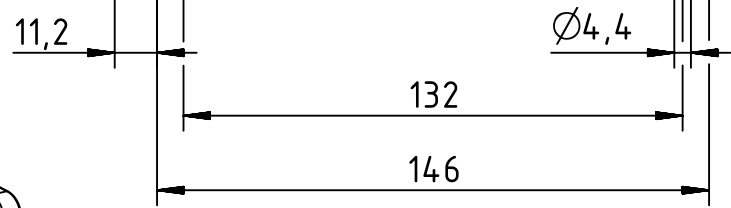
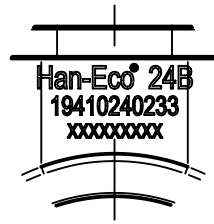
adapter frame



seal



Z (1:1)



adapter frame is enclosed

	All Dimensions in mm Original Size DIN A4	Scale	Free size tol.		Ref.	
		1:2			Sub.	
	All rights reserved Department EL PD - DE	Created by	Inspected by	Standardisation	Date	State
		DICK	HERBRECHTSME	TIEMANNA	2016-02-29	Final Release
HARTING Electric GmbH & Co. KG D-32339 Espelkamp		Title			Doc-Key / ECM-Nr.	
		Han-Eco 24B-HSM1-M40			100216514/UGD/006/E 500000096768	
		Type	Number		Rev.	Page
		TB	19 41 024 0233		E	1/1