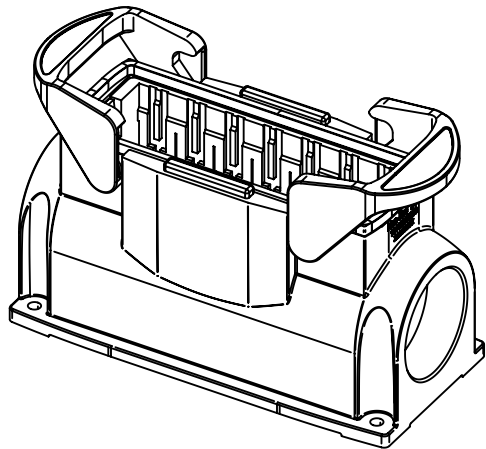
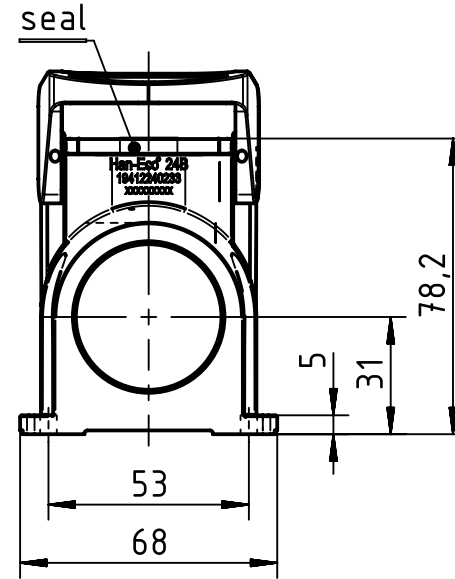
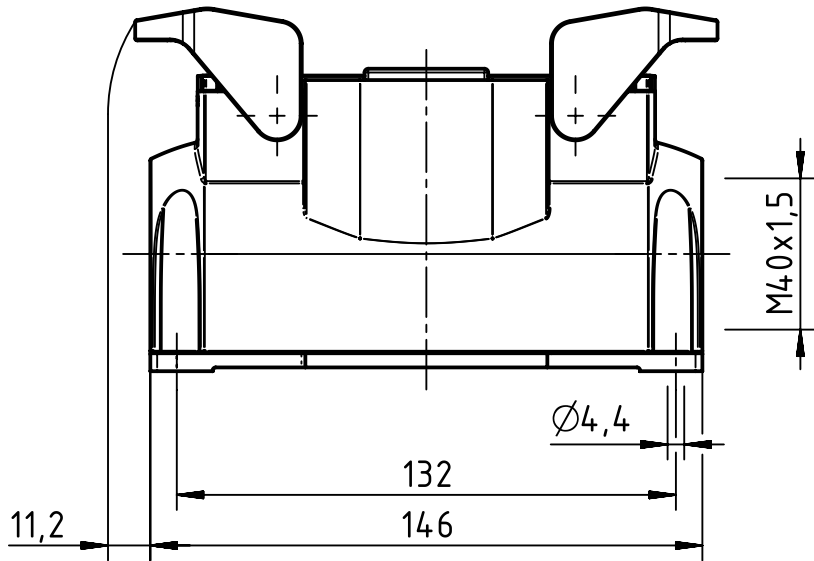


A


B

C

D



holding frame is enclosed

	All Dimensions in mm Original Size DIN A4		Scale	Free size tol.		Ref.	
			1:2			Sub.	
All rights reserved Department EL PD - DE		Created by	Inspected by	Standardisation	Date	State	
		GRUBES	HERBRECHTSME	TIEMANNA	2014-05-15	Final Release	
HARTING Electric GmbH & Co. KG D-32339 Espelkamp		Title Han-Eco 24B asg1 M40 outdoor				Doc-Key / ECM-Nr. 100216514/UGD/008/D 500000074673	
		Type	Number		Rev.	Page	
		TB	19 41 224 0233		D	1/1	