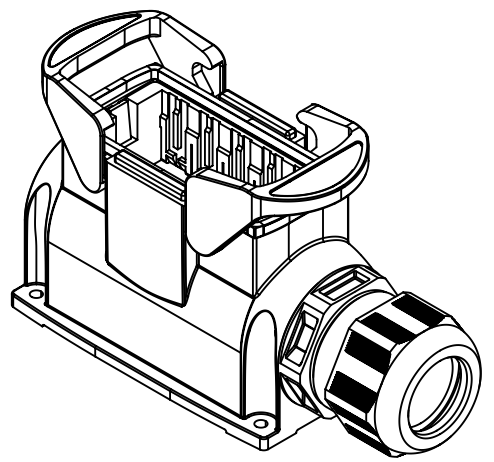


Z (1:1)



adapter frame and cable gland are enclosed

	All Dimensions in mm Original Size DIN A4		Scale 1:2	Free size tol.		Ref.		
						Sub.		
	All rights reserved		Created by DICK	Inspected by HERBRECHTSME	Standardisation TIEMANNA	Date 2016-02-29	State Final Release	
	Department EL PD - DE		Title Han-Eco 16B asg1 M40 outdoor w. gland				Doc-Key / ECM-Nr. 100222559/UGD/008/E 500000096768	
HARTING Electric GmbH & Co. KG D-32339 Espelkamp			Type TB	Number 19 41 316 0233			Rev. E	Page 1/1