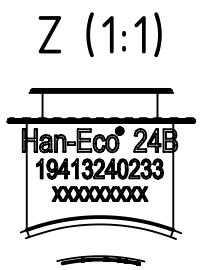
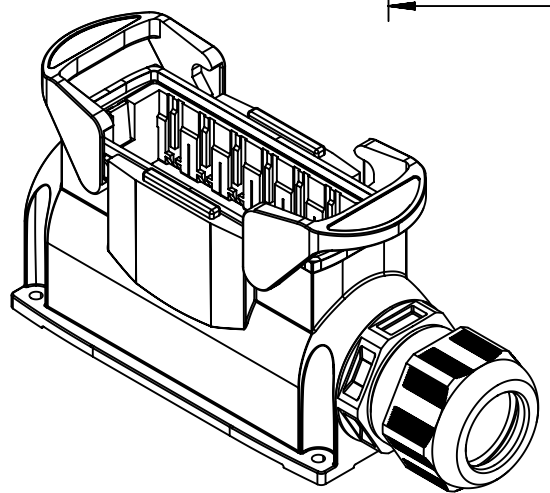
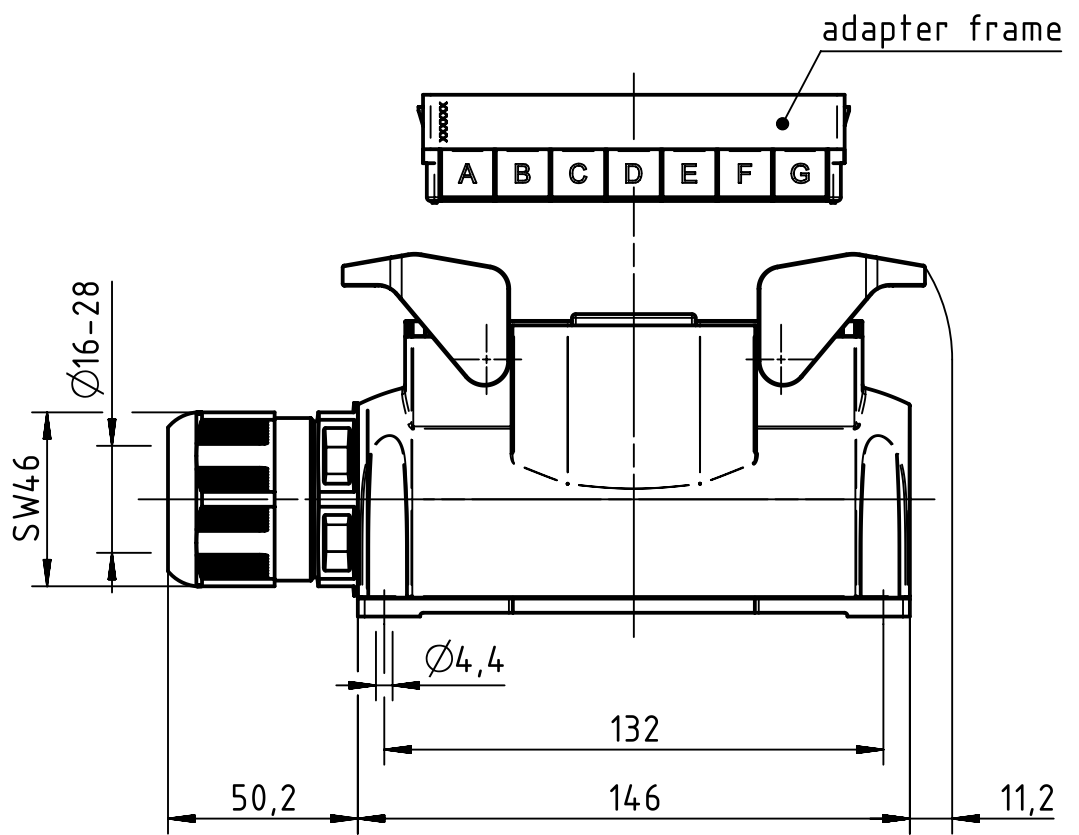
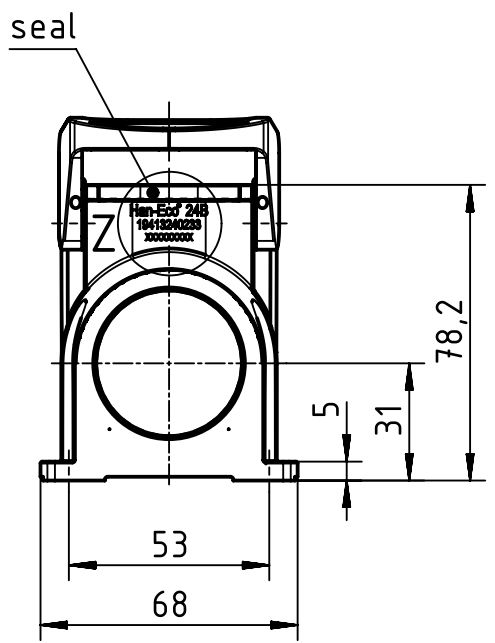


1 2 3 4 5 6

A
B
C
D



Z (1:1)



adapter frame and cable gland are enclosed

	All Dimensions in mm Original Size DIN A4		Scale 1:2	Free size tol.		Ref.
			Created by DICK	Inspected by HERBRECHTSME	Standardisation TIEMANNA	Sub.
		All rights reserved Department EL PD - DE	Date 2016-02-29	State Final Release		Doc-Key / ECM-Nr. 100222556/UGD/008/E 500000096768
HARTING Electric GmbH & Co. KG D-32339 Espelkamp		Title Han-Eco 24B asg1 M40 outdoor w. gland	Type TB	Number 19 41 324 0233		Rev. E
						Page 1/1